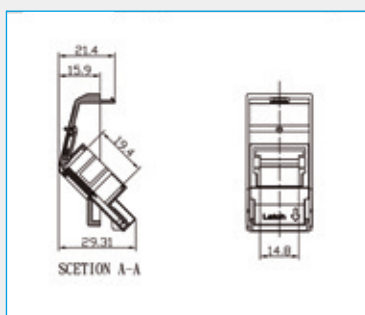


UC CACC AA 01 BK EU

Angled Single Port Adaptor 25 x 50 Black



Technical data

Product code	Product name / Description	Measures	Weight	Items per packaging unit
		Mm	g	
YAABP01758	UC CACC AA 01 BK EU Angled Single Port Adaptor 25 x 50 Black		8	1 or 50

Related Products

YFPBP00128	UC CACC FP 2 EU European Flush Plate 86X86 (50x50)		23	1 or 50
YFPBP00129	UC CACC FP 4 EU European Flush Plate 146X86 (100x50)		33	1 or 50
YFPBP00294	UC CACC BF 2 EU European Bevelled Plate 86X86 (50x50)		24.6	1 or 50
YFPBP00295	UC CACC BF 4 EU European Bevelled Plate 146X86 (100x50)		23.2	1 or 50
YMJBP00296	UC C500 MJ TF S V3 Cat6A (Solid) FTP Keystone Jack 90° Toolless in Silver		27	1 or 24
YMJBP00096	UC C400 MJ TF S Cat.6 FTP Keystone Jack 180° Tool-less in Silver		11,7	1 or 50
YMJBP00097	UC C400 MJ TF U BK Cat6 UTP Keystone Jack 180° Tool-less Black		8	1 or 50
YKJBP00091	UC C300 MJ TF U BK Cat5e UTP Keystone Jack 180° Tool-less Black		8	1 or 50