

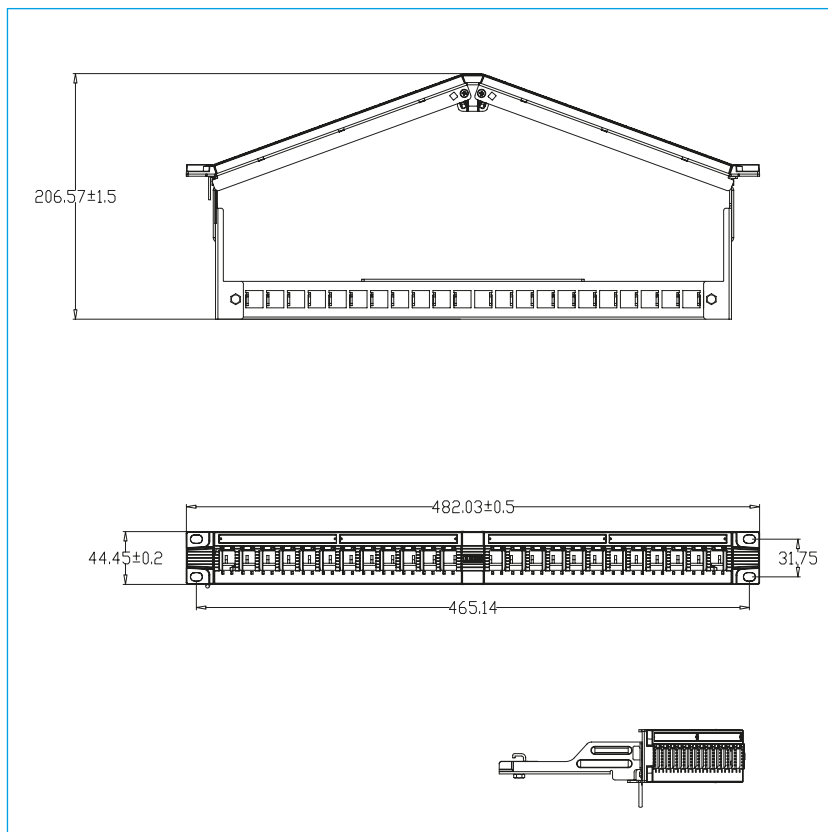
UC CACC PP VP S BK 24 1U

19" Angled Shielded Empty Patch Panel

3.3. Patch Panels

Specification

Item	Description
Front Cover	ABS + PC
Rear Cable Management	SPCC
Frame	SPCC wth Nickel plated
Dimension	(H x W) 1.75" x 19"



- 19" Empty Shielded Patch Panel
- Unshielded design
- Angled designed for better patch lead management
- Available in Black
- Rear cable management as standard
- Also available as UC^{Precon} pre-terminated cabling solution

Technical data

Product code	Product name	Description	Weight	Items per packaging unit
			g	
YPPBP00346	UC CACC PP VP S BK 24 1U	19" 1U 24P FTP Angled Keystone Panel Empty 180° Foldable patented	585	1

Related Products

YMJB00338	UC C400 MJ TR S V1	Keystone Jack Cat.6 RJ45 FTP 180° Tool Fast Shielded	9.1	1
YMJB00336*	UC C300 MJ TS S	Keystone Jack Cat.5e RJ45 FTP 180° Tool Fast Shielded	9.3	1
YMJB00340*	UC C500 MJ TR S V5	Keystone Jack Cat.6a RJ45FTP 180° Tool Fast Shielded	9.3	1
YMJB01851*	UC C500 MJ TF S V6	Keystone Jack Cat.6a RJ45 FTP 180° Tool Free Shielded	9.3	1