

UC CACC BF 4 EU

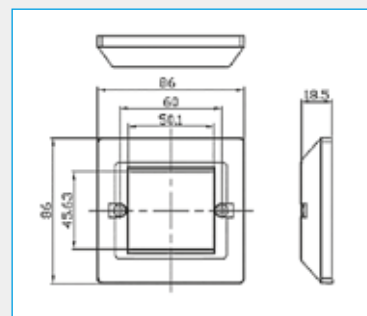
European Bevelled Plate 86 X 86 (50 x 50)

Technical data

Product code	Product name / Description	Measures	Weight	Items per packaging unit
		Mm	g	
YFPBP00294	UC CACC BF 4 EU European Bevelled Plate 86X86	50 x 50	23	1 or 50

Related Products

YMSBP00093	UC C300 MS TR U WH Cat5e UTP 50 x 25 Module 180° Punchdown in White	25 x 50	11.7	1 or 50
YMSBP00100	UC C400 MS TR U WH Cat6 UTP 50 x 25 Module 180° Punchdown in White	25 x 50	11.7	1 or 50
YAABP00127	UC CACC AA 01 EU Angled Single Port Adaptor 25 x 50	25 x 50	8	1 or 50
YMABP00123	UC CACC MA 01 EU Flat Single Adaptor 25 x 50	25 x 50	8	1 or 50
YBIBP00121	UC CACC BI 1/2 EU Blank Euromod Insert 12.5 x 50	12.5 x 50	3.1	1 or 50
YBIBP00130	UC CACC BI 01 EU Blank Insert 25 x 50	25 x 50	4	1 or 50



UC CACC BF 2 EU

European Bevelled Plate 146 X 86 (100 x 50)

Technical data

Product code	Product name / Description	Measures	Weight	Items per packaging unit
		Mm	g	
YFPBP00295	UC CACC BF 2 EU European Bevelled Plate 146 X 86	100 x 50	23	1 or 50

Related Products

YMSBP00093	UC C300 MS TR U WH Cat5e UTP 50 x 25 Module 180° Punchdown in White	25 x 50	11.7	1 or 50
YMSBP00100	UC C400 MS TR U WH Cat6 UTP 50 x 25 Module 180° Punchdown in White	25 x 50	11.7	1 or 50
YAABP00127	UC CACC AA 01 EU Angled Single Port Adaptor 25 x 50	25 x 50	8	1 or 50
YMABP00123	UC CACC MA 01 EU Flat Single Adaptor 25 x 50	25 x 50	8	1 or 50
YBIBP00121	UC CACC BI 1/2 EU Blank Euromod Insert 12.5 x 50	12.5 x 50	3.1	1 or 50
YBIBP00130	UC CACC BI 01 EU Blank Insert 25 x 50	25 x 50	4	1 or 50

