

# UC C400 MS TR U WH

Cat6 UTP 50x25 Module 180° Punchdown in White

## 2.3. Modules

### Specification

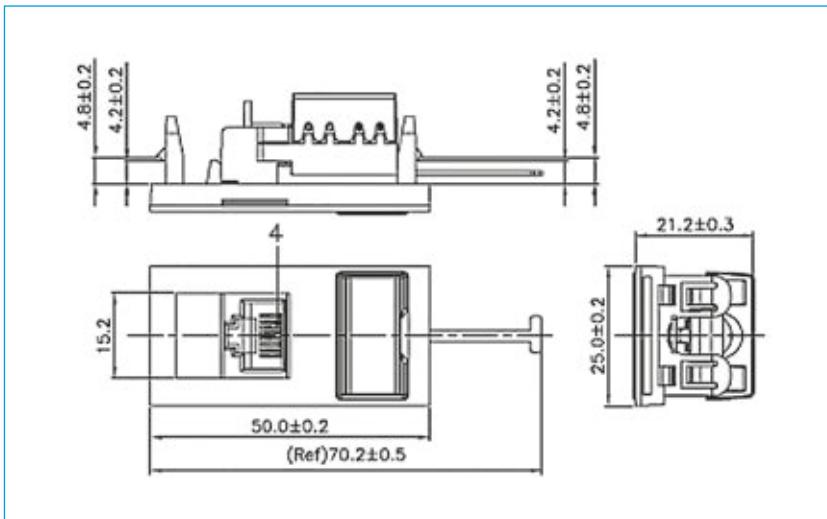
Item	Description
<b>RJ45 Plastic housing</b>	ABS + PC
<b>RJ45 jack contact material and finish</b>	Phosphor Bronze
<b>Contact area</b>	Min 3 mm 50 micro-inch Gold plated over Nickel colour
<b>IDC terminal and finish</b>	Phosphor Bronze with min. 50 micro-inch Tin plated
<b>Wire size compatibility</b>	23-26 AWG solid wire
<b>Housing</b>	ABS
<b>Dimensions</b>	50 x 25 x 19.5mm



### Performance

Item	Description
<b>IDC cap colour code</b>	supports both wiring schemes TIA 568A & 568B
<b>Insertion force</b>	900 gm for 8 contacts
<b>Retention strength</b>	7.7kg between jack and plug
<b>Operating temperature</b>	-10°C to 60°C
<b>Durability</b>	Jack 750 cycles

- Cat6 compliant performance
- Fully compatible with our full range of faceplates
- Fits into 25 mm back-box
- Fits into standard floor box plates



### Technical data

Product code	Product name	Description	Weight	Items per packaging unit
			g	
<b>YMSBP00100</b>	UC C400 MS TR U WH	Cat6 UTP 50x25 Module 180° Punchdown in White	11.7	1 or 50

### Related Products

<b>YFPBP00128</b>	UC CACC FP 2 EU	European Flush Plate 86X86 (50x50)	23g	1 or 50
<b>YFPBP00129</b>	UC CACC FP 4 EU	European Flush Plate 146X86 (100x50)	33g	1 or 50
<b>YFPBP00294</b>	UC CACC BF 1 EU	European Bevelled Plate 86X86 (50x50)	23g	1 or 50
<b>YFPBP00295</b>	UC CACC BF 2 EU	European Bevelled Plate 146X86 (100x50)	33g	1 or 50