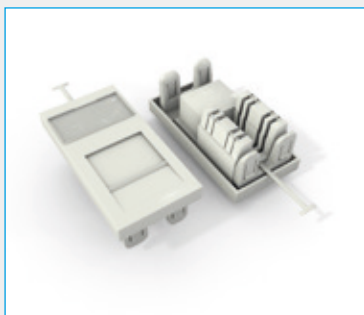


1.3. Modules

UC C300 MO TR U WH

Cat5e UTP 38x25 Module 180° Punchdown in White



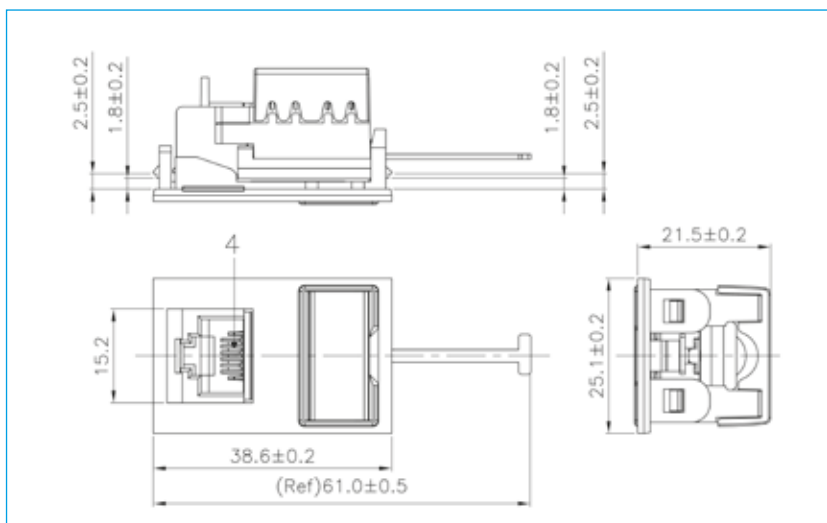
- Cat5e compliant performance
- Fully compatible with our full range of faceplates
- Fits into 25 mm back-box
- Fits into standard floor box plates

Specification

Item	Description
RJ45 Plastic housing	ABS + PC
RJ45 jack contact material and finish	Phosphor Bronze
Contact area	Min 3 mm 50 micro-inch Gold plated over Nickel colour
IDC terminal and finish	Phosphor Bronze with min, 50 micro-inch Tin plated
Wire size compatibility	23-26 AWG solid wire
Housing	ABS
Dimensions	38.6 x 25.1 x 20.1 mm

Performance

Item	Description
IDC cap colour code	supports both wiring schemes TIA 568A & 568B
Insertion force	20N Max
Retention strength	7.7kg between jack and plug
Operating temperature	-10°C to 60°C
Durability	Jack 750 cycles



Technical data

Product code	Product name	Description	Weight	Items per packaging unit
			g	
YMOBP00094	UC C300 MO TR U WH	Cat5e UTP 38x25 Module 180° Punchdown in White	9.8	1 or 50

Related Products

YFPBP00125	UC CACC FP 01 6C	Single port UK frame 86 x 86	25	1 or 50
YFPBP00126	UC CACC FP 02 6C	Dual port UK frame 86 x 86	23	1 or 50
YBIBP00133	UC CACC BI 01 6C	Blank insert 38 x 25	6	1 or 50