

UC C300 MS TR U WH

Cat5e UTP 50x25 Module 180° Punchdown in White

1.3. Modules

Specification

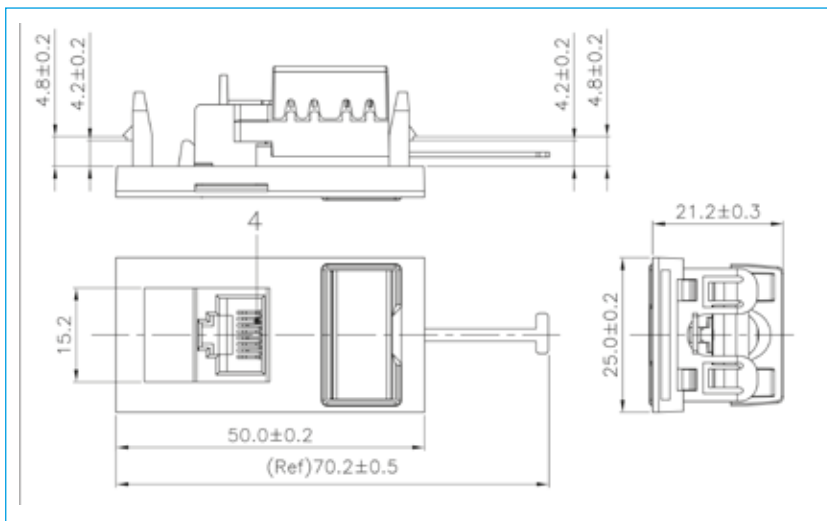
Item	Description
RJ45 Plastic housing	ABS + PC
RJ45 jack contact material and finish	Phosphor Bronze
Contact area	Min 3 mm 50 micro-inch Gold plated over Nickel colour
IDC terminal and finish	Phosphor Bronze with min, 50 micro-inch Tin plated
Wire size compatibility	23-26 AWG solid wire
Housing	ABS
Dimensions	50 x 25 x 19.5mm

Performance

Item	Description
IDC cap colour code	supports both wiring schemes TIA 568A & 568B
Insertion force	900 gm for 8 contacts
Retention strength	7.7kg between jack and plug
Operating temperature	-10°C to 60°C
Durability	Jack 750 cycles



- Cat5e compliant performance
- Fully compatible with our full range of faceplates
- Fits into 25 mm back-box
- Fits into standard floor box plates



Technical data

Product code	Product name	Description	Weight	Items per packaging unit
			g	
YMSBP00093	UC C300 MS TR U WH	Cat5e UTP 50x25 Module 180° Punchdown in White	11,7	1 or 50

Related Products

YFPBP00128	UC CACC FP 2 EU	European Flush Plate 86X86 (50x50)	23g	1 or 50
YFPBP00129	UC CACC FP 4 EU	European Flush Plate 146X86 (100x50)	33g	1 or 50
YFPBP00294	UC CACC BF 1 EU	European Bevelled Plate 86X86 (50x50)	23g	1 or 50
YFPBP00295	UC CACC BF 2 EU	European Bevelled Plate 146X86 (100x50)	33g	1 or 50