

2.2. Keystone Jacks



- Cat6 UTP Tool Free Keystone Jack
- Category 6 Compliant
- 3rd Party Approved
- Dual T568A & T568B wiring
- Available in Black & White
- Compatible with UTP cables from 26 AWG to 23 AWG
- RoHS compliant
- Re-termination: 10 cycles (minimum)

UCCONNECT



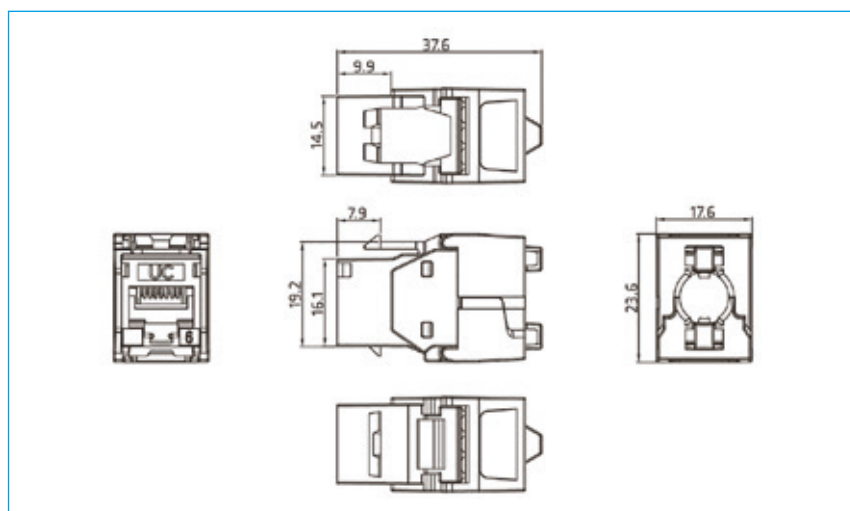
Keystone Jack Cat.6 RJ45 UTP 180° Tool Free

Specification

Item	Description
Compatibility	23-26 AWG UTP cables
Dimensions	36.95mm x 24.5mm x 16.94mm

Performance

Item	Description
IDC cap colour code supports both wiring schemes	TIA 568A & 568B
Durability	Modular Jack 800 mating cycles (minimum)
Dielectric withstanding voltage	1000 VDC
Insulation resistance	1000 M / 500 VDC (min)
Contact resistance	20 m (max)
Delay skew	0.2 nsec (max)
Propagation delay	1 nsec (max)
Current rating	1.5 Amps
Input to Output resistance	100 m (max)



Technical data

Product Code	Product name	Description	Weight	Items per packaging unit
			g	
YMJB01569	UC C400 MJ TF U WH V1	Keystone Jack Cat.6 RJ45 UTP180° Tool Free White	9.1	1
YMJB01570	UC C400 MJ TF U BK V1	Keystone Jack Cat.6 RJ45 UTP 180° Tool Free Black	9.1	1

Related Products

YPPBP00344	UC CACC PP U BK 24 1U	19" 1U 24P UTP Keystone Panel Empty 180°	585	1
YPPBP00345	UC CACC PP VP U BK 24 1U	19" 1U 24P UTP Angle Keystone Panel Empty 180° Foldable patented	585	1
YPPBP00348	UC CACC PP U BK 48 2U	19" 2U 48P UTP Patch Panel Empty 180°	720	1