

# UC CACC FP 4 EU

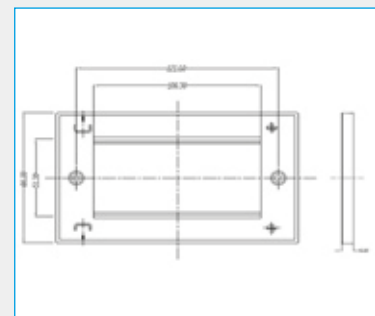
European Flush Plate 146 x 86

## Technical data

Product code	Product name / Description	Measures	Weight	Items per packaging unit
		Mm	g	
<b>YFPBP00129</b>	UC CACC FP 4 EU European Flush Plate 146 x 86	146 x 86	23	1 or 50

## Related Products

<b>YMSBP00093</b>	UC C300 MS TR U WH Cat5e UTP 50 x 25 Module 180° Punchdown in White	25 x 50	11.7	1 or 50
<b>YMSBP00100</b>	UC C400 MS TR U WH Cat6 UTP 50 x 25 Module 180° Punchdown in White	25 x 50	11.7	1 or 50
<b>YAABP00127</b>	UC CACC AA 01 EU Angled Single Port Adaptor 25 x 50	25 x 50	8	1 or 50
<b>YMABP00123</b>	UC CACC MA 01 EU Flat Single Adaptor 25 x 50	25 x 50	8	1 or 50
<b>YBIBP00121</b>	UC CACC BI 1/2 EU Blank Euromod Insert 12.5 x 50	12.5 x 50	3.1	1 or 50
<b>YBIBP00130</b>	UC CACC BI 01 EU Blank Insert 25 x 50	25 x 50	4	1 or 50



# UC CACC BI 01 EU

Blank Insert 25 x 50

## Technical data

Product code	Product name / Description	Measures	Weight	Items per packaging unit
		Mm	g	
<b>YBIBP00130</b>	UC CACC BI 01 EU Blank Insert 25 x 50	25 x 50	4	1 or 50

## Related Products

<b>YFPBP00128</b>	UC CACC FP 4 EU European Flush Plate 86 x 86	86 x 86	23	1 or 50
<b>YFPBP00129</b>	UC CACC FP 4 EU European Flush Plate 146 x 86	146 x 86	33	1 or 50

