

## 1.2. Keystone Jacks



- Cat5e UTP Tool Fast Keystone Jack
- Category 5e Compliant
- 3rd Party Approved
- Dual T568A & T568B wiring
- Compatible with UTP cables from 26 AWG to 23 AWG
- RoHS compliant
- Re-termination: 10 cycles (minimum)

## UC C300 MJ TR U WH V1



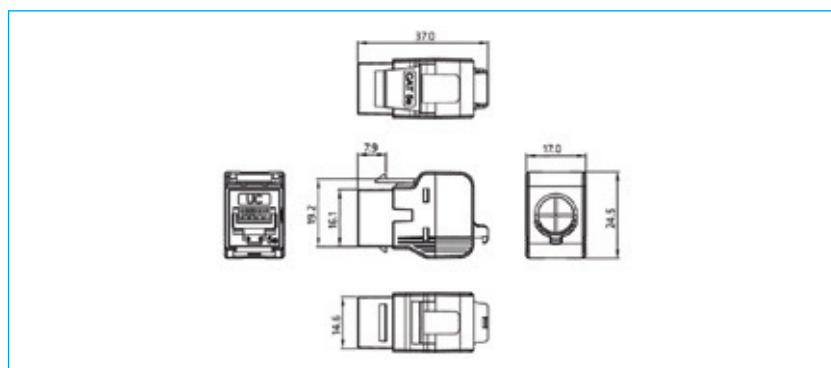
Cat.5e RJ45 UTP 180° Tool Fast Blue

## Specification

Item	Description
<b>Front housing</b>	ABS + PC
<b>IDC housing</b>	PC, UL 94V-0
<b>IDC Cover</b>	PC, UL 94V-0
<b>Contacts</b>	50 micro-inch hard gold plating
<b>Wire size compatibility</b>	23-26 AWG solid wire (diameter < 1.27mm)
<b>PCB</b>	FR4 94V-0
<b>Dimensions</b>	36.95mm x 24.5mm x 16.94mm

## Performance

Item	Description
<b>IDC cap colour code supports both wiring schemes</b>	TIA 568A & 568B
<b>Durability</b>	750 times of RJ45 plug insert life
<b>Dielectric withstanding voltage</b>	1000 VDC
<b>Insulation resistance</b>	1000 M / 500 VDC (min)
<b>Contact resistance</b>	20 m (max)
<b>Delay skew</b>	0.2 nsec (max)
<b>Propagation delay</b>	1 nsec (max)
<b>Current rating</b>	1.5 Amps
<b>Input to Output resistance</b>	100 m (max)



## Technical data

Product Code	Product name	Description	Weight	Items per packaging unit
			g	
<b>YMJB00335</b>	UC C300 MJ TR U WH V1	Keystone Jack Cat.5e RJ45 UTP 180° Tool Fast Blue	9.1	1

## Related Products

<b>YCJBP00397</b>	UC CACC C	Tool for Tool Fast Keystone Jack	5	1
<b>YPPBP00344</b>	UC CACC PP U BK 24 1U	19" 1U 24P UTP Keystone Panel Empty 180°	585	1
<b>YPPBP00345</b>	UC CACC PP VP U BK 24 1U	19" 1U 24P UTP Angle Keystone Panel Empty 180° Foldable patented	585	1
<b>YPPBP00348</b>	UC CACC PP U BK 48 2U	19" 2U 48P UTP Patch Panel Empty 180°	720	1