

# UC C500 EX TF S

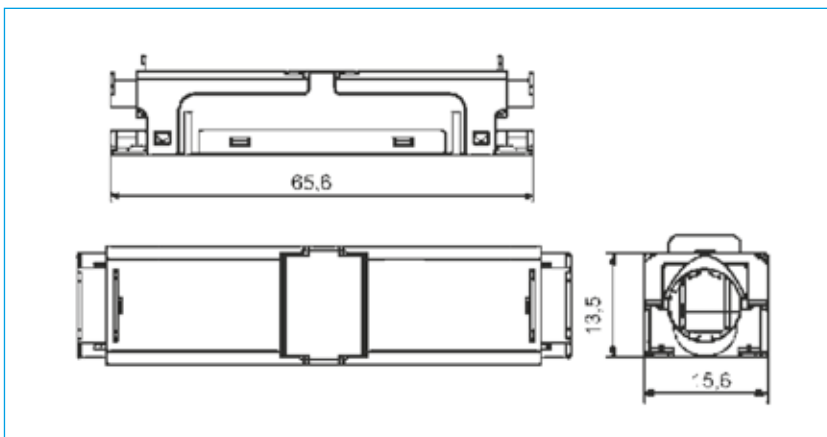
Cat6A Shielded Tool-Less 180° Extender

## Specification

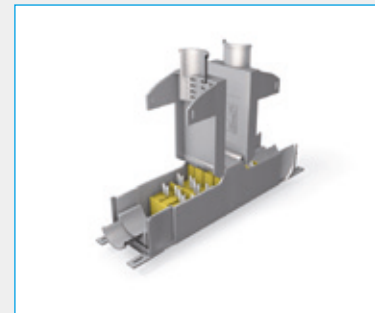
Item	Description
<b>Material Housing</b>	Zinc Die Casting PA
<b>Insulation Material</b>	PC White
<b>Contact Area</b>	30 μ Gold Plated
<b>Wire size compatibility</b>	5-10 mm
<b>Connection class</b>	IP20
<b>Dimensions</b>	65.6mm x 13.5 mm x 15.6 mm

## Performance

Item	Description
<b>Contact resistance</b>	≤20m
<b>Insulation resistance</b>	≥500m
<b>Operating temperature</b>	-40 ° C - + 70 ° C



## 4.2. Keystone Jacks



- Easy install facilitated by tool free wire termination
- Backward Compatible
- PoE + Konami IEEE 802.3at suitable for power over Ethernet +
- 10Gigabit Component level compliance to ISO/IEC 11801:2002 (including Amendment 2 – 2nd Edition), Amendment 2 to CENELEC EN 50173-1 (2010) and IEC 60603-7-51, ANSI TIA 568-C.2
- 22-24awg Compatible

## Technical data

Product code	Product name	Description	Weight	Items per packaging unit
			g	
<b>YEXBP01759</b>	UC C500 EX TF S	Cat6A (Solid) FTP Extender 180° Tool-less in Silver	35	1 or 24