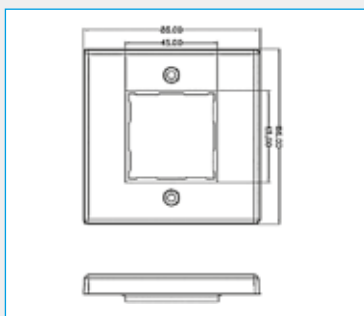


UC CACC FP 01 V1

French Wall Plate Single Gang (45x45)



Technical data

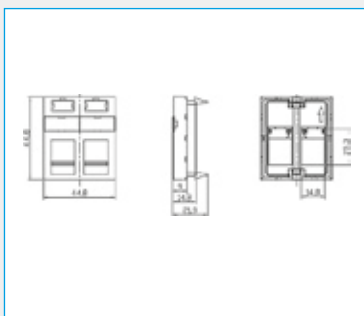
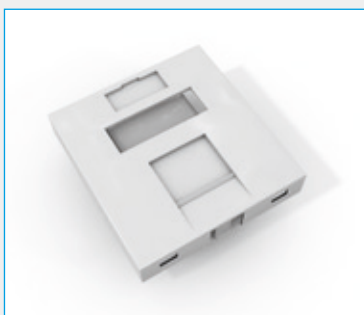
Product code	Product name / Description	Measures	Weight	Items per packaging unit
		Mm	g	
YFPBP00302	UC CACC FP 01 V1 45 x 45 French Wall Plate Single Gang	45 x 45	23	1 or 50

Related Products

YAABP00303	UC CACC AA 01 V1 45 x 45 mm angled single port module	45 x 45	8.6	1 or 50
YAABP00304	UC CACC AA 02 V1 45 x 45 mm angled dual port module	45 x 45	8.6	1 or 50
YMABP00305	UC CACC MA 01 V1 45 x 45 mm flat single port module	45 x 45	8.6	1 or 50
YMABP00306	UC CACC MA 02 V1 45 x 45 mm flat dual port module	45 x 45	8.6	1 or 50
YAABP00307	UC CACC AA 01 V2 22.5 x 45 mm angled singled port module	22.5 x 45	4.3	1 or 50
YMABP00308	UC CACC MA 01 V2 22.5 x 45 mm flat singled port module	22.5 x 45	4.3	1 or 50
YBIBP00309	UC CACC BI 01 V1 22.5 x 45 mm flat blank port module	22.5 x 45	4.3	1 or 50

UC CACC MA 01 V1

45 x 45 mm flat single port module



Technical data

Product code	Product name / Description	Measures	Weight	Items per packaging unit
		Mm	g	
YMABP00305	UC CACC MA 01 V1 45 x 45 mm flat single port module	45 x 45	8.6	1 or 50

Related Products

YFPBP00302	UC CACC FP 01 V1 45 x 45 French Wall Plate Single Gang	45 x 45	23g	1 or 50
YAABP00303	UC CACC AA 01 V1 45 x 45 mm angled single port module	45 x 45	8.6	1 or 50
YAABP00304	UC CACC AA 02 V1 45 x 45 mm angled dual port module	45 x 45	8.6	1 or 50
YMABP00306	UC CACC MA 02 V1 45 x 45 mm flat dual port module	45 x 45	8.6	1 or 50
YAABP00307	UC CACC AA 01 V2 22.5 x 45 mm angled singled port module		4.3	1 or 50
YMABP00308	UC CACC MA 01 V2 22.5 x 45 mm flat singled port module		4.3	1 or 50
YBIBP00309	UC CACC BI 01 V1 22.5 x 45 mm flat blank port module		4.3	1 or 50