

UC CACC AA 01 EU

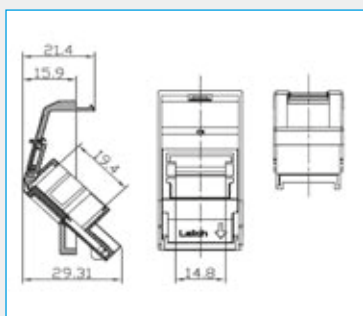
Angled Single Port Adaptor 25 X 50

Technical data

Product code	Product name / Description	Measures	Weight	Items per packaging unit
		Mm	g	
YAABP00127	UC CACC AA 01 EU Angled Single Port Adaptor 25 X 50	25 x 50	8	1 or 50

Related Products

YFPBP00128	UC CACC FP 2 EU European Flush Plate 86x86	86 x 86	23	1 or 50
YFPBP00129	UC CACC FP 4 EU European Flush Plate 146x86	146 x 86	33	1 or 50



UC CACC MA 01 EU

Flat Single Adaptor 25 x 50

Technical data

Product code	Product name / Description	Measures	Weight	Items per packaging unit
		Mm	g	
YMABP00123	UC CACC MA 01 EU Flat Single Adaptor 25 x 50	25 x 50	3.1	1 or 50

Related Products

YFPBP00128	UC CACC FP 2 EU European Flush Plate 86x86	86 x 86	23	1 or 50
YFPBP00129	UC CACC FP 4 EU European Flush Plate 146x86	146 x 86	33	1 or 50

