

4.2. Keystone Jacks



- Cat6A / Class EA 10G Keystone Jack
- Category 6A Compliant
- Shielded Design (U/FTP, F/FTP, S/FTP)
- 3rd Party Approved
- Dual T568A & T568B wiring
- Compatible with FTP cables from 26 AWG to 22 AWG
- RoHS compliant
- Re-termination: 10 cycles (minimum)
- IEEE 802.3 PoE+

UC C500 MJ TR S V6

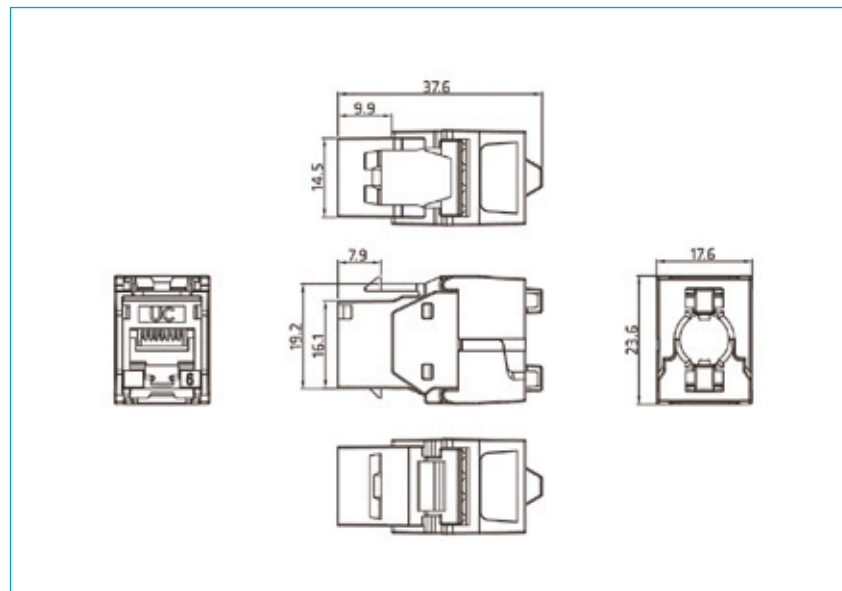
Cat6A Class E_A 10G FTP Keystone Jack

Specification

Item	Description
Front housing	Zinc Alloy
IDC housing	PC, UL 94V-0
Back cover	Zinc Alloy
Contacts	50 micro-inch hard gold plating
Wire size compatibility	22-26 AWG
PCB	FR4 94V-0
Dimensions	37.58mm x 23.95mm x 16.10mm

Performance

Item	Description
IDC cap colour code supports wiring schemes	TIA 568A & 568B
Durability	Modular Jack 750 mating cycles (minimum)
Insulation resistance	>= 500 MΩ
Contact resistance	20 m Ω (max)
Delay skew	0.2 nsec (max)
Propagation delay	1 nsec (max)
Current rating	1.5 Amps



Technical data

Product code	Product name	Description	Weight	Items per packaging unit
			g	
YMJB01851	UC C500 MJ TR S V6	Keystone Jack, Cat. 6A, Installer RJ45, FTP	27	1

Related Products

YPPBP00343	UC CACC PP S BK 24 1U	19" 1U 24P STP Patch Panel, Empty	585	1
YPPBP00299	UC C500 PP VP S BK 24	19" 1U 24P STP Angled Patch Panel, with rear management, Empty	585	1