

Pre-connectorised Optical Riser Cable – 25%

Prysmian Part Numbers: See page 4



Note: Pictures are for illustration purposes only and may not be representative of final product.

An optical riser cable with a double level of fan-out and 25% of the fibres (all yellow fibres) pre-connectorised with SC/APC connectors. The cable is available with 48, 96 or 144 fibres and is pre-connectorised and controlled in the factory. The cable contains a number of Flextube® each containing 4 fibres.

The riser cable is suitable for indoor installation on cable tray, in corridors or in shafts. Easy selection and removal of a Flextube® up to 6m for tapping and connection at the floor. The fully dry flexible micro-modules (Flextube®) provide easier storage & faster installation and access to the fibres without specific tools and without further cleaning.

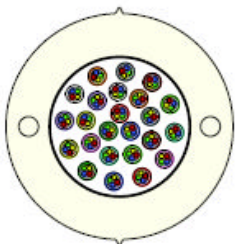
Features and Benefits

- Available in fibre counts of 48, 96 or 144.
- All of the yellow fibres supplied terminated with SC/APC connectors.
- Test certificate supplied with each assembly.
- Supplied with G.657.A2 BendBright®-XS fibres.
- Gel free micro modules for faster installation.

Applications

- FTTx
- Telecommunications

Cable Design



Not to scale

- **Micro-module:** Thin wall tubing (Flextube®), housing BendBright®-XS optical fibres. Without any gel.
- **Assembly of 12, 24 or 36 Flextube®**
- **Strength members:** glass fibre reinforced plastic material.
- **Outer Sheath:** LSZH-FR material.
- Two lines in positive relief located at 90° from the RSM, in order to position the cable opening window.

Cable Technical Data

Description	Number of Fibres		
	48	96	144
Prysmian Cable Data Sheet Ref	TF601C	TF601C	TF601C
No of fibres per Module	4	4	4
Module Diameter (mm)	0.9	0.9	0.9
Cable Diameter (mm)	9.5	11.5	13.0
Cable Weight (Kg/Km)	80	115	140
Fibre Type	G.657.A2 (BendBright®-XS)		
Temperature Range (C)	-5 to +60 Installation		
	-40 to +70 Transportation and Storage		
	-5 to +60 Operation		

Identification

Fibre Colours

No.	1	2	3	4
Colour	red	blue	green	yellow

Module Colours

If module number is > 12

No.	1	2	3	4	5	6	7	8	9	10	11	12
Colour	red	blue	green	yellow	violet	White	orange	grey	brown	Light green	aqua	pink
No.	13	14	15	16	17	18	19	20	21	22	23	24
Colour	red	blue	green	yellow	violet	White	orange	grey	brown	Light green	aqua	pink
No.	25	26	27	28	29	30	31	32	33	34	34	36
Colour	red	blue	green	yellow	violet	White	orange	grey	brown	Light green	aqua	pink

Sheath Colour

The sheath colour is white

Sheath Marking

The outer sheath is marked in 1 metre intervals as follows

DRAKA <Week/Year of manufacture> <Number of fibre> FO G657 A2 HFFR <Cable number> <Length marking in meter>
--

Product Assembly

The yellow fibres of the riser cable are pre-connectorised one end with SC/APC connectors.

Each micro-module of the riser cable is dedicated to one subscriber.

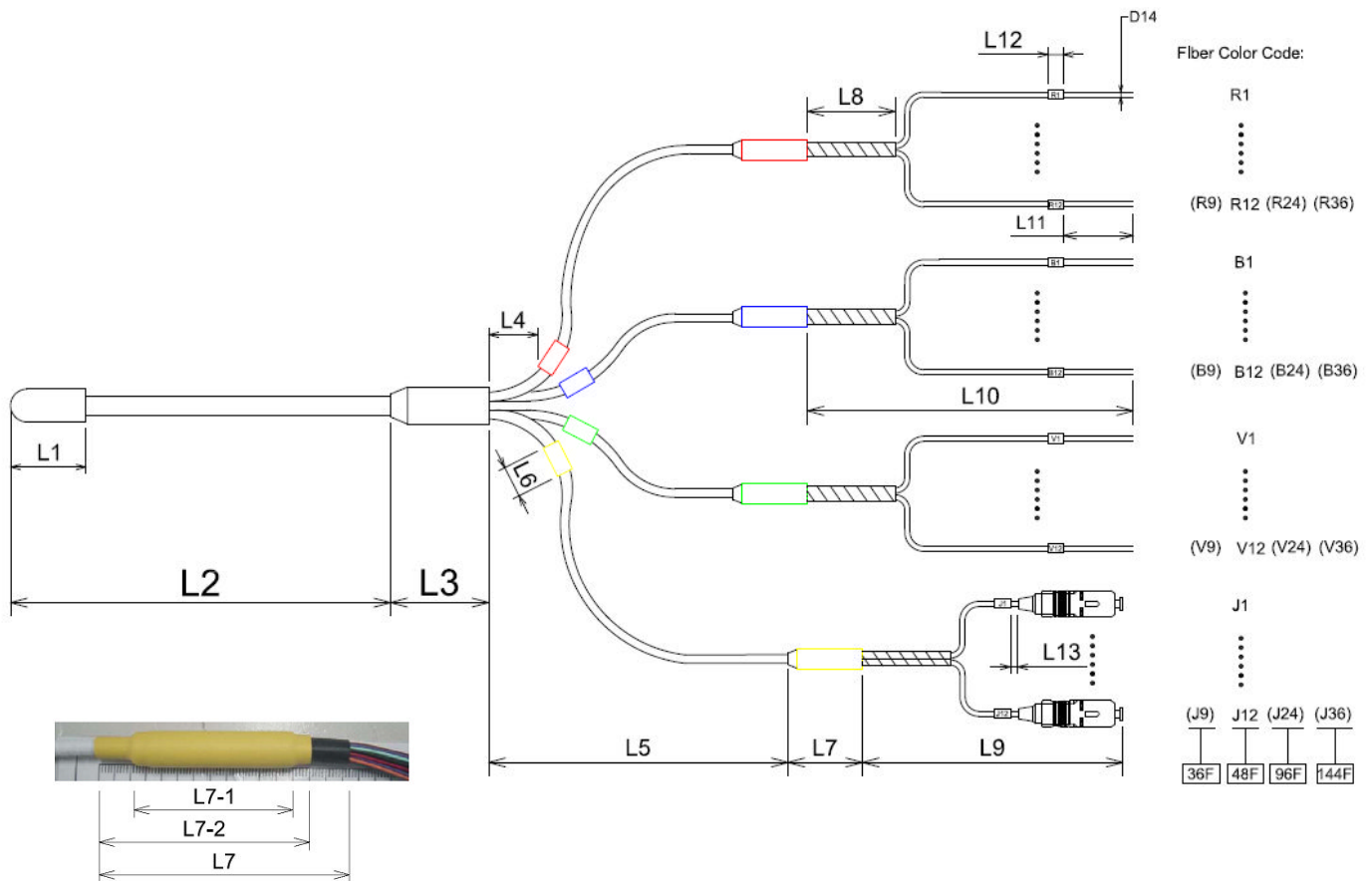
Each group of the same fibre colour is dedicated to one operator.

In the Fanout 1, all the modules are open and the fibres are selected and re-routed per operator. Thus:

- The Fanout 2 N°1 includes all the Yellow fibres
- The Fanout 2 N°2 includes all the Blue fibres
- The Fanout 2 N°3 includes all the Green fibres
- The Fanout 2 N°4 includes all the Red fibres

From the Fanout 2, the fibers are individually protected with a 900 µm tube. Colour and marking of the 900µm tube correspond to the colour and marking of the micro-module from which the fibre comes.

Detailed parts characteristics are depicted below and on the following page:



L1	48F:40±5mm; 96&144F : 45±5mm
L2	L±0.5%, Cable type: FTTH Riser Flextube Indoor Cable with BendBright®-XS Fibre, full dry, mid span tapping 6m
L3	Diameter x Length After Shrink Tube, 31mm(+1/-4mm) x 86mm(+5/-0mm),
L4	30+5/-0mm, Heat shrink tube colored according to fiber colour
L5	5.0mm Miniflex tube: Red Fiber : 800+50/-0mm, Blue Fiber: 800+50/-0mm, Green Fiber: 800+50/-0mm, Yellow Fiber: 1000+50/-0mm
L6	12±2mm
L7	48F fanout tube : D10±2mm; L7=55±5mm 96F & 144F fanout tube : D12±2mm; L7=70±5mm
L8	750±25mm, Preconnectorized yellow fibers will be bundle by 12 with spiral tube, Other fiber color will be bundle TOGETHER pre fanout 2# as drawing.
L9	900+50/-0mm
L10	1200+50/-0mm
L11	70±10mm
L12	10±1mm, Marker
L13	10±1mm
D14	900um±50um, 12 colored LSZH tube

Part Numbers

Riser length (m)	No. of Fibres (grouped by 4)		
	48	96	144
10	XPCSC00540	XPCSC00543	XPCSC00546
50	XPCSC00541	XPCSC00544	XPCSC00547
100	XPCSC00542	XPCSC00545	XPCSC00548

Packaging

The cable assembly is supplied on a wooden drum inside a cardboard box.

Please contact your local sales office listed on www.prysmiangroup.com

© Prysmian Group 2014, All Rights Reserved.

The information contained within this document must not be copied, reprinted or reproduced in any form, either wholly or in part, without the written consent of Prysmian Group. The information is believed correct at the time of issue. Prysmian Group reserves the right to amend this specification without notice. This specification is not contractually valid unless specifically authorised by Prysmian Group.