



UTP Punchdown Panel RJ45 Cat.5e 180° with rear management

1.4. Patchpanels

Specification

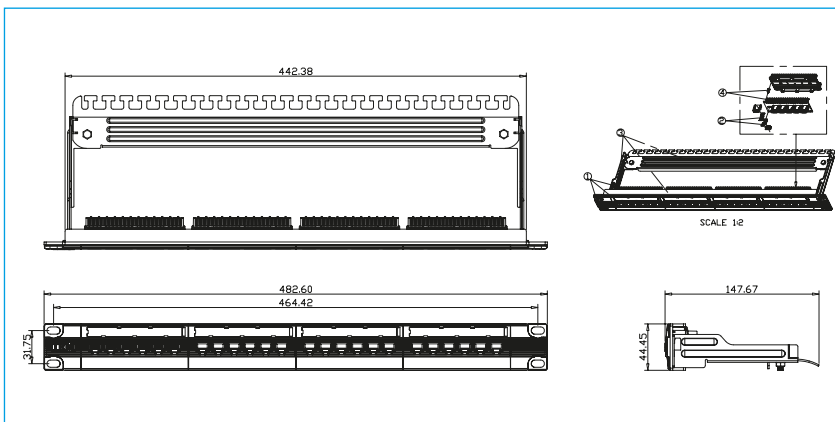
Item	Description
Insulation Resistance	>= 500 MΩ
Dielectric Withstand Voltage	500VAC
Contact Resistance	<= 35 mΩ
Current Rating	1.5A at 68°F

Performance

Item	Description
Plug insertion Life	>=750 times plug in
Contact Force	99.2g (3.5oz) FCC Plug
Plug Retention Force	30lb (133n/13.3Kg)
110/Krone IDC Insertion Force	4.5Kg minimum
110/Krone IDC Retention Force	0.5Kg minimum
Temperature Test	-40 to 150°F (-40 to 66°C)
RJ45 Contact	Phosphor Bronze with 50u" Gold plating over contact area



- Cat5e Patch Panel
- Unshielded design
- Rear Cable Management as Standard
- Available in Black
- Rear cable management as Standard
- 110/LSA IDC Insertion Compatible
- 3RD Party Component Complaint
- ANSI/TIA/EIA-568-B.2-1
- ISO/IEC 11801 2nd edition: 2002
- EN50173-1: 2002



Technical data

Product code	Product name	Description	Weight g	Items per packaging unit
YPPBP02039	UC C300 PP TR U BK 24 1U V1	19" 1U 24P UTP Punchdown Panel RJ45 Cat.5e 180° with rearmanagement	2317	1
YPPBP02040	UC C300 PP TR U BK 48 1U V1	19" 2U 48P UTP Punchdown Panel RJ45 Cat.5e 180° with rearmanagement	4634	1